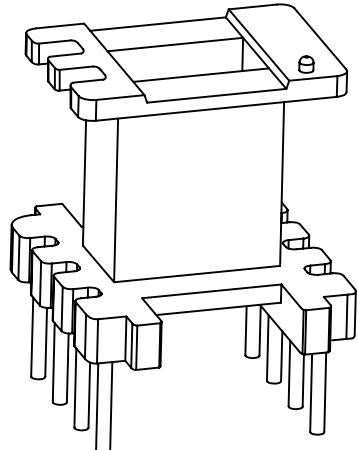
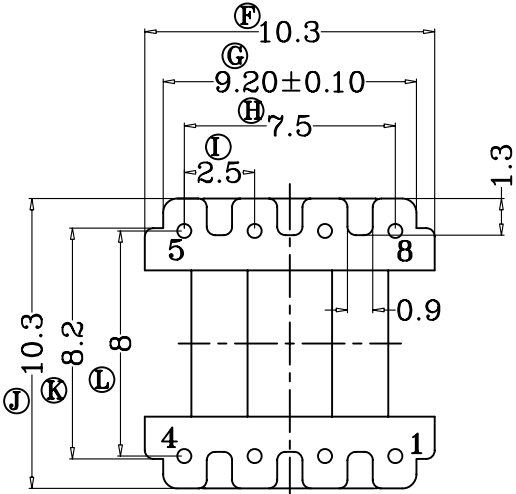
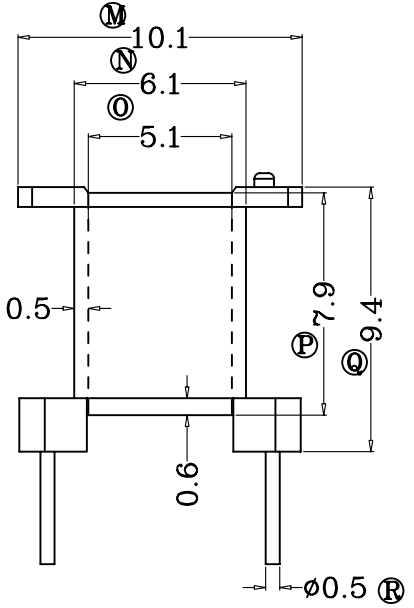
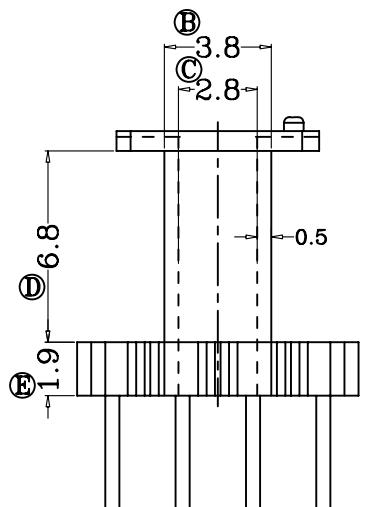
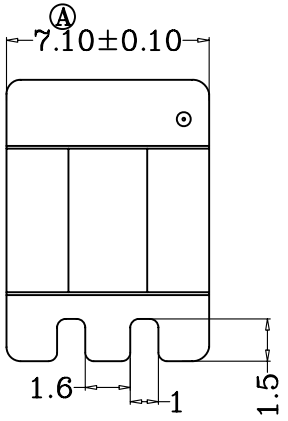



版本	A/1
----	-----

REV	REVISIONS REC	DATE
A/1	B尺寸由3.5改为3.8	2018.07.26
	N尺寸由6.0改为6.1	2018.07.26



注：“★”为重点尺寸，未注R角为0.3

 ?????????????? SHENZHEN BOSCOM ELECTRONICS CO.,LTD	型 号 MODEL NAME		产品编号 DRAWING NO		
	EI-10(4+4P)		B-1009-1		
ADDRESS	?????????????????? ??????146?	MATERIAL	PM-9820	PIN MATERIAL	CP WIRE
TELEPHONE	0755-28032969 28032970 28032971	SCALE	FIT	TOLERANCE	
FAX	0755-28032965	DRWING	ZUO 17/40/2014	0<L<4 ±0.10	壁厚: ±0.10 PIN径: ±0.05
		DESIGNED		4≤L≤16 ±0.20	
		APPROVED		16以上 ±0.30	