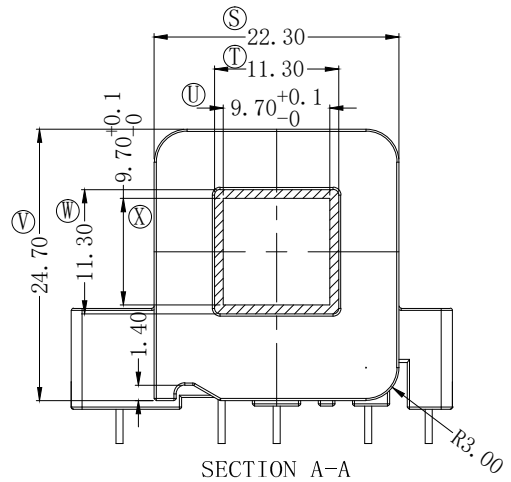
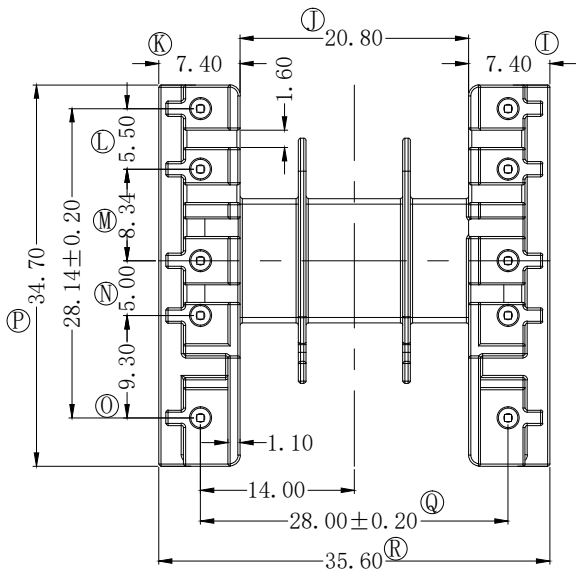
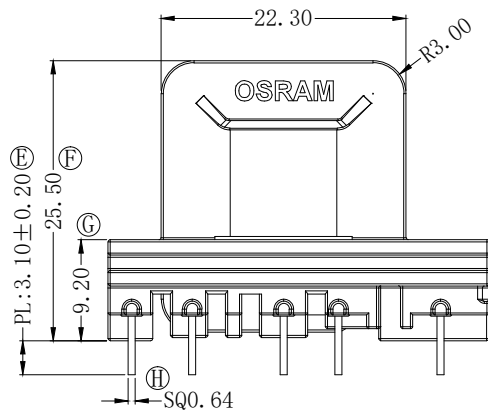
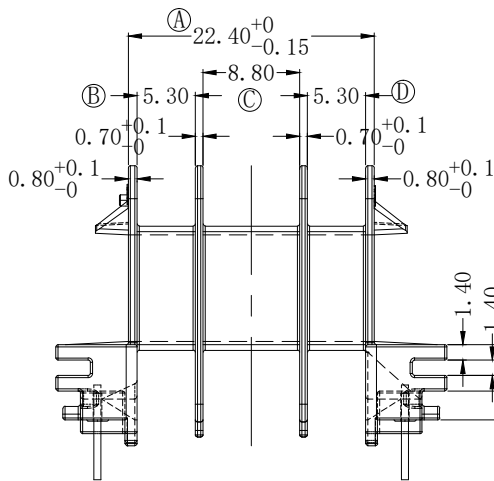
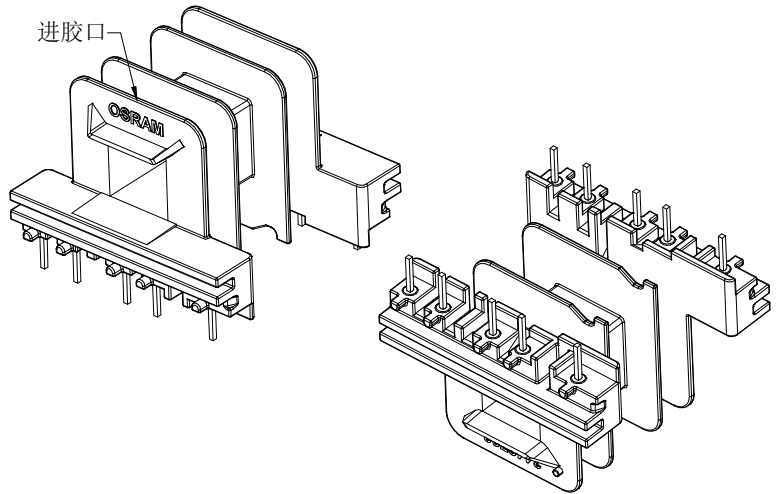
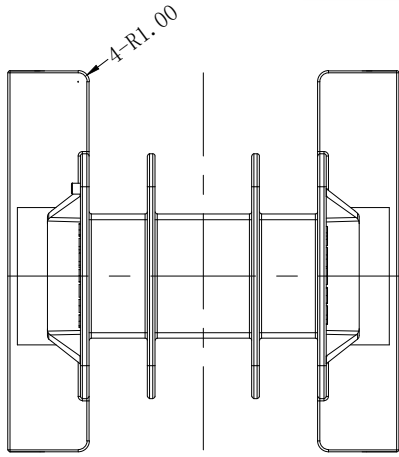


| | | | | |
|----|-----|-----|---------------|------|
| 版本 | A/0 | REV | REVISIONS REC | DATE |
| | | A/0 | | |



深圳市搏思康电子有限公司
SHENZHEN BOSCOM ELECTRONICS CO.,LTD

| | |
|-----------|---------------------------------|
| ADDRESS | 深圳市观澜街道石马径社区君新路石三工业区146号 |
| TELEPHONE | 0755-28032969 28032970 28032971 |
| FAX | 0755-28032965 |

| | | | |
|------------------|-------------|--------------------|---------------|
| 型号 MODEL NAME | | 产品编号 DRAWING NO | |
| EE-32 (5+5P) | | B-3257 | |
| MATERIAL | FR-530 (BK) | PIN MATERIAL | CP WIRE |
| SCALE | FIT | TOLERANCE | |
| DRWING | 11/07/2020 | 0≤L≤1 ±0.08 | 10≤L≤15 ±0.13 |
| DESIGNED | 庄永委 | 1≤L≤3 ±0.09 | 15≤L≤22 ±0.15 |
| APPROVED | | 3≤L≤6 ±0.10 | 22≤L≤30 ±0.17 |
| | | 6≤L≤10 ±0.11 | 30≤L≤40 ±0.20 |