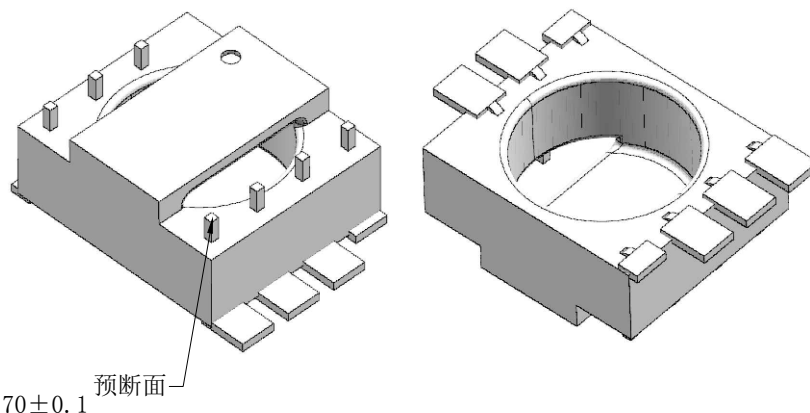
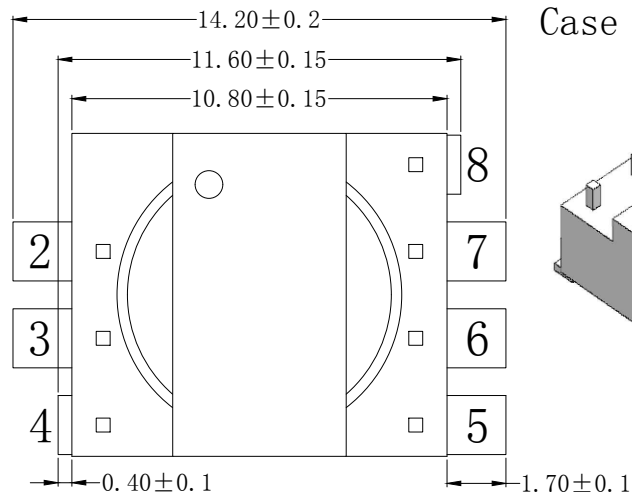
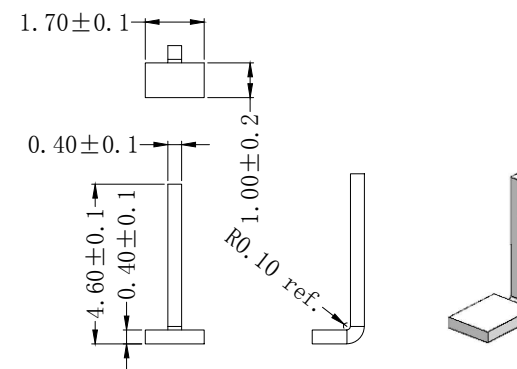


版本	A/1	REV.	REVISIONS REC.	DATE
		A/1	Pin针高度4.9改为4.6	2023.03.28

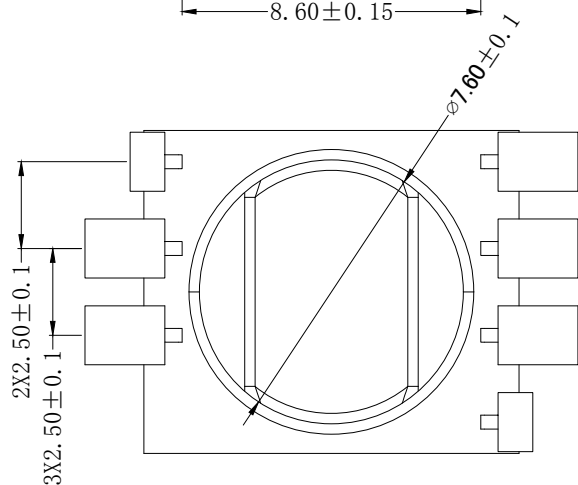
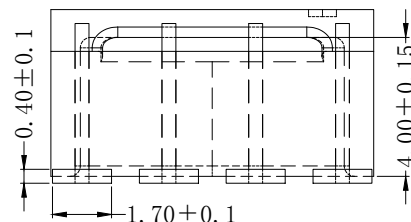
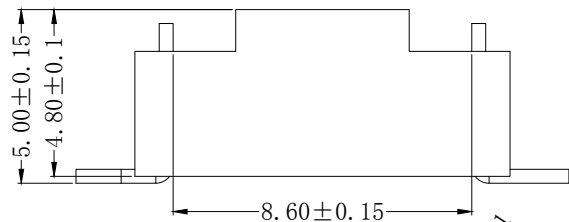
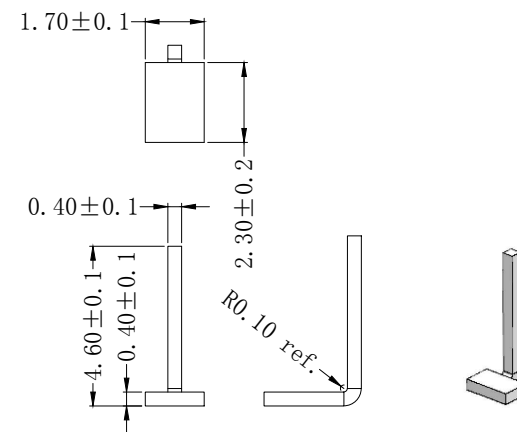
Case drawing



Pin 1 drawing



Pin 2 drawing



Case Information

- 1) Supplier:
- 2) Case Material: PM9630
- 3) Pin spec: refer to pin dwg.
- 4) Pin Material: PB wire 3/4H
- 5) PB wire immersion: Ni Basal: 1~3um; Sn plating: 5um min
- 6) Complanarity deviation: 0.1mm max
- 7) Remove Pin 1
- 8) RoHS compliant, halogen free, red phosphorus free.

量产模

深圳市搏思康电子有限公司 SHENZHEN BOSCOM ELECTRONICS CO.,LTD		型号 MODEL NAME	产品编号 DRAWING NO		
ADDRESS: 深圳市龙华区观澜街道牛湖社区君新路164号		Case		B-C061	
TELEPHONE: 0755-29673660 29673519		MATERIAL	PM-9630	PIN MATERIAL	
广东搏思远科技有限公司 Guangdong Bosyuan Technology Co.,Ltd		SCALE	FIT	PB WIRE	
ADDRESS: 河源市高新区富民工业园A区联体厂房A栋南栋		DRWING	28/03/2023	TOLERANCE	
TELEPHONE: 0762-2820657 2820658 2820659 2820660		DESIGNED	庄永委	0<L≤4 ±0.10	
		APPROVED		4<L≤16 ±0.20	
				16<L≤50 ±0.30	
				50<L≤200 ±0.40	