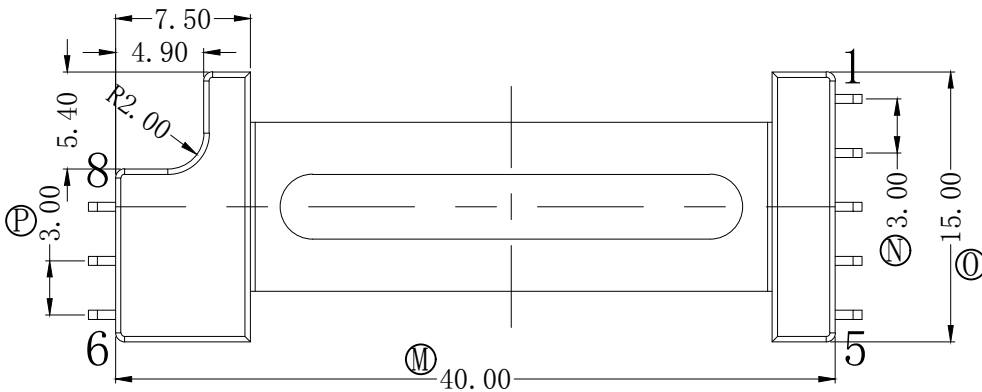
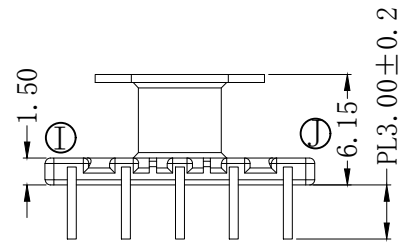
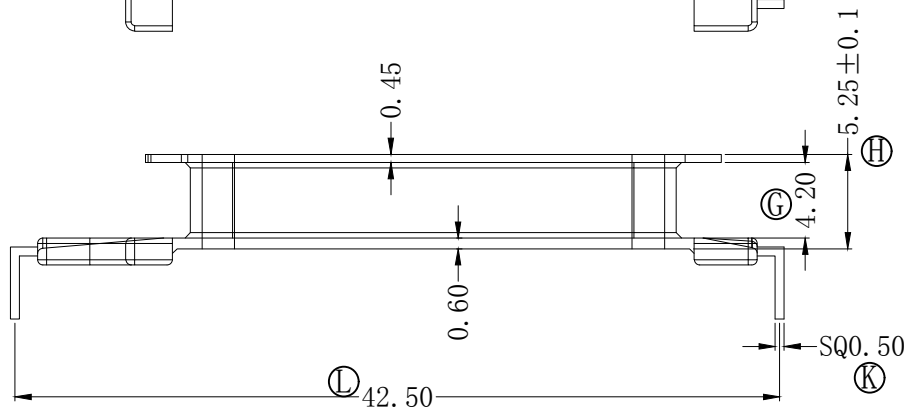
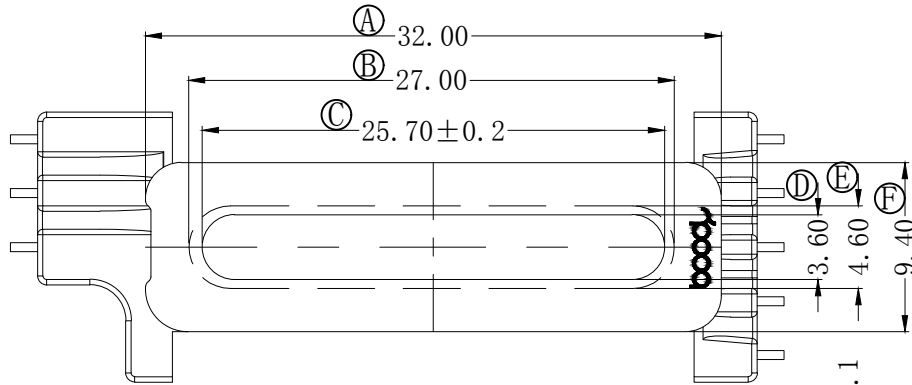
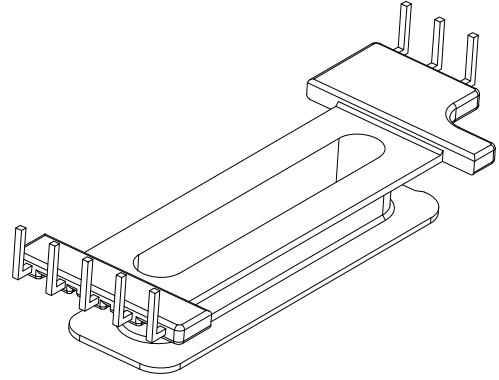
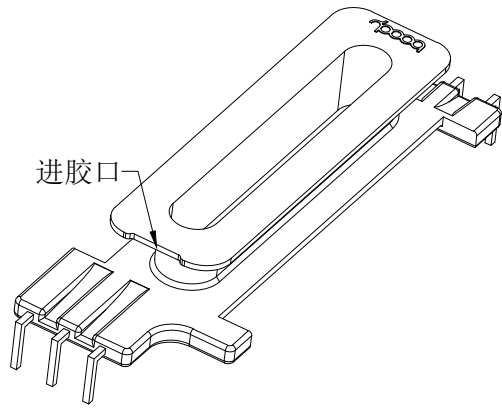


|    |     |     |               |      |
|----|-----|-----|---------------|------|
| 版本 | A/0 | REV | REVISIONS REC | DATE |
|    |     |     |               |      |



|   |  |  |            |                                      |         |
|---|--|--|------------|--------------------------------------|---------|
| 深圳市搏思康电子有限公司<br>SHENZHEN BOSCOM ELECTRONICS CO., LTD<br>ADDRESS: 深圳市龙华区观澜街道牛湖社区君新路164号<br>TELEPHONE: 0755-29673660 29673519               |  | 型号<br>MODEL NAME<br><b>EDR-28 (5+3P)</b> |            | 产品编号<br>DRAWING NO<br><b>B-28101</b> |         |
| 广东搏思远科技有限公司<br>Guangdong Bosyuan Technology Co., Ltd<br>ADDRESS: 河源市高新区富民工业园A区联体厂房A栋南栋<br>TELEPHONE: 0762-2820657 2820658 2820659 2820660 |  | MATERIAL                                 | PM-9630    | PIN MATERIAL                         | CP WIRE |
|   |  | SCALE                                    | FIT        | TOLERANCE                            |         |
|   |  | DRWING                                   | 05/01/2022 | 0 < L ≤ 4                            | ± 0.10  |
|   |  | DESIGNED                                 | 庄永委        | 4 < L ≤ 20                           | ± 0.20  |
|   |  | APPROVED                                 |            | 20 < L ≤ 50                          | ± 0.30  |
|   |  |  |            | 50 < L ≤ 200                         | ± 0.40  |