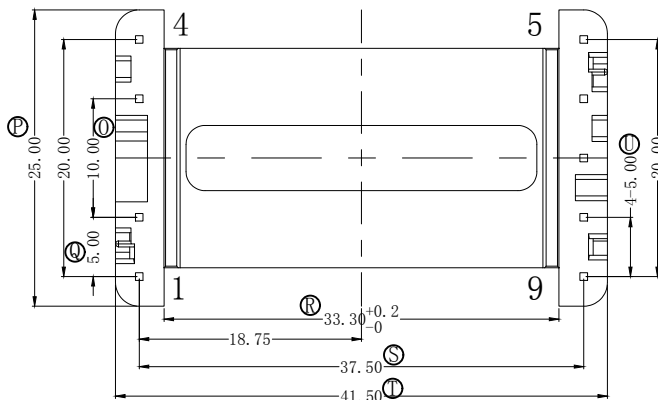
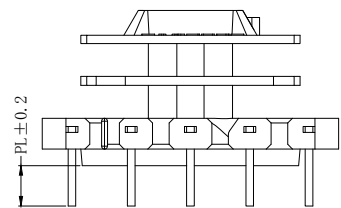
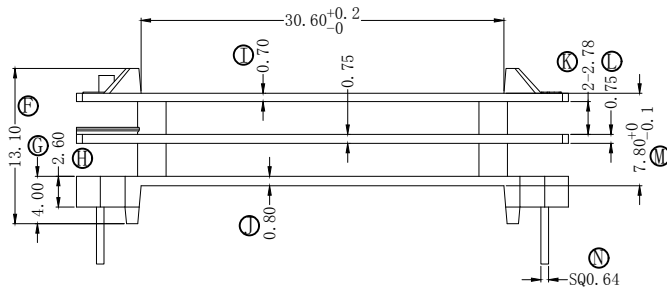
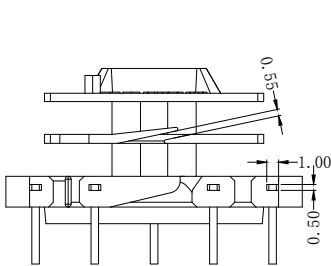
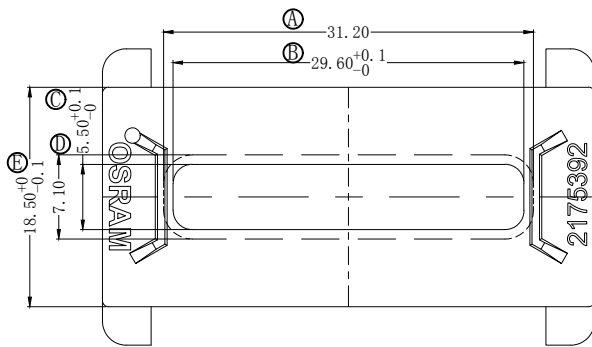
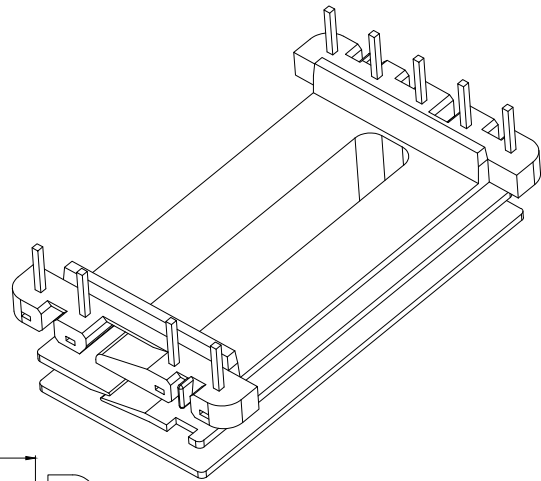
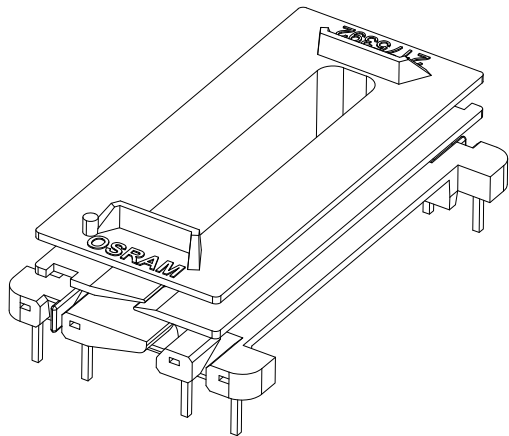


|    |     |     |               |      |
|----|-----|-----|---------------|------|
| 版本 | A/0 | REV | REVISIONS REC | DATE |
|    |     |     |               |      |



|  |  |  |            |   |                    |
|--|--|--|------------|---|--------------------|
| <b>深圳市搏思康电子有限公司</b><br>SHENZHEN BOSCOM ELECTRONICS CO., LTD<br>ADDRESS: 深圳市龙华区观澜街道牛湖社区君新路164号<br>TELEPHONE: 0755-29673660 29673519               |  | <b>型号</b><br>MODEL NAME<br><b>EF-25 (4+5P)</b> |            | <b>产品编号</b><br>DRAWING NO<br><b>B-25135-1</b> |                    |
| <b>广东搏思远科技有限公司</b><br>Guangdong Bosyuan Technology Co., Ltd<br>ADDRESS: 河源市高新区富民工业园A区联体厂房A栋南栋<br>TELEPHONE: 0762-2820657 2820658 2820659 2820660 |  | MATERIAL                                       | FR-530 NC  | PIN MATERIAL                                  | CP WIRE            |
|  |  | SCALE  | FIT        | TOLERANCE                                     |                    |
|  |  | DRWING   | 22/10/2022 | 0 ≤ L ≤ 1 ± 0.08                              | 10 ≤ L ≤ 15 ± 0.13 |
|  |  | DESIGNED                                       | 庄永委        | 1 ≤ L ≤ 3 ± 0.09                              | 15 ≤ L ≤ 22 ± 0.15 |
|  |  | APPROVED                                       |            | 3 ≤ L ≤ 6 ± 0.10                              | 22 ≤ L ≤ 30 ± 0.17 |
|  |  |  |            | 6 ≤ L ≤ 10 ± 0.11                             | 30 ≤ L ≤ 40 ± 0.20 |